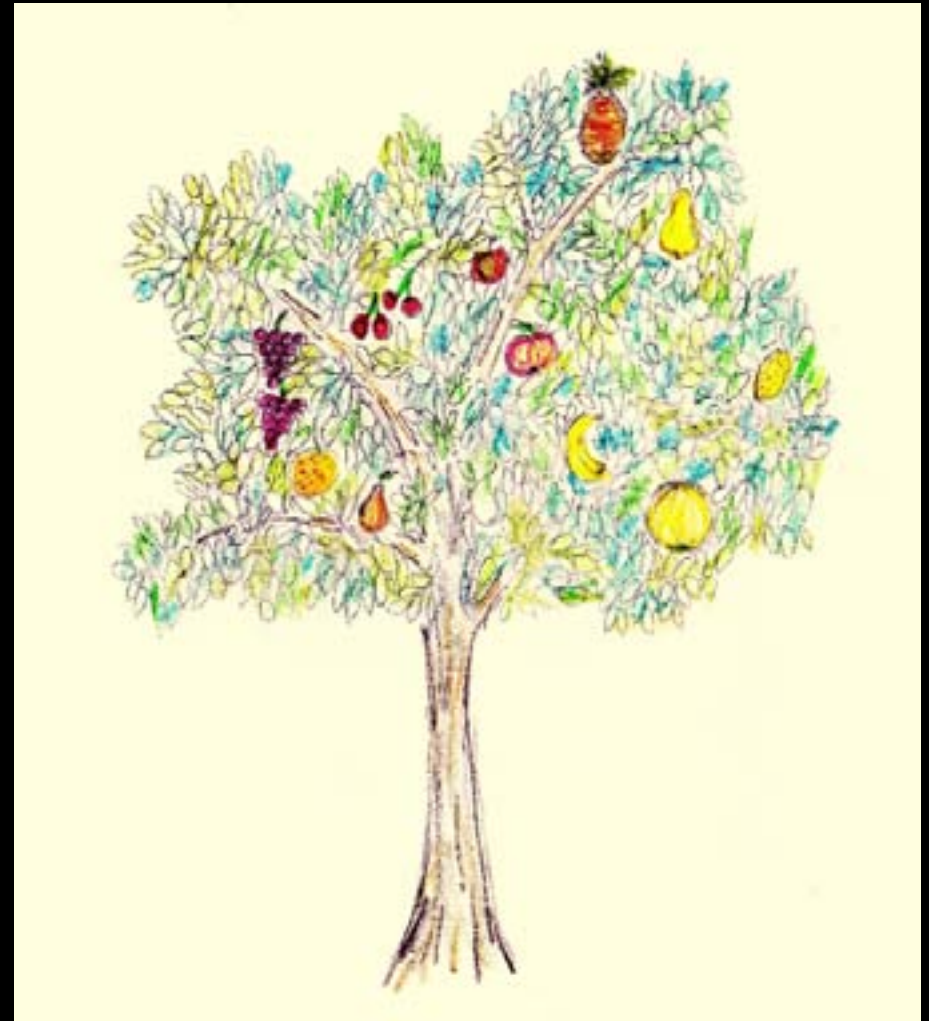


# The tree of good neighborliness

## A mosaic as a social sculpture in urban areas

I like the idea of good neighborliness. My vision is the manifestation of this thought in the form and symbol of the tree of good neighborliness. The creation of this tree and it spreading around the world, if possible in all cities around the globe. A tree full of variety as good neighbors.

Because we really are all one big family. A family with a very long family tree and if we think of our family, we usually wish them a good, happy and peaceful life. We feel connected.

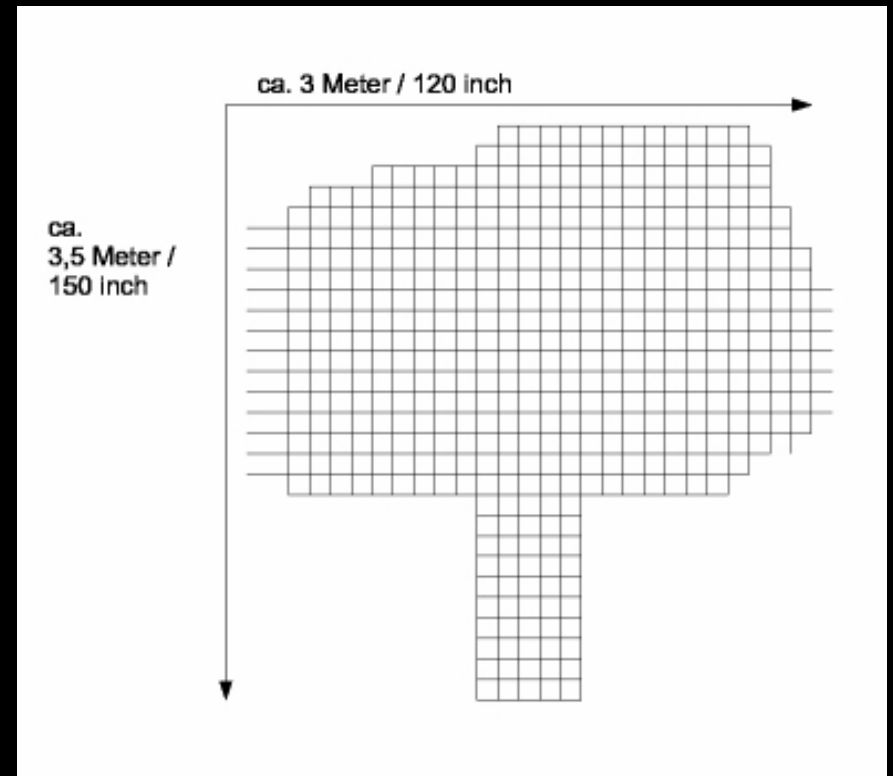


- To do something is the manifestation of the intention!
- Good neighborliness is created through the dissolution of the unknown and willingness to accept the others.
- Tolerate diversity and the differences and give them the space they need.
- Good neighborliness is created if it goes without saying to wish the others well and maybe even do something good to them.

**I invite everyone to contribute to this.**

With this tree as a symbol of the intention to have good neighborliness, I want to show that our diversity is what makes us rich and that we all together show the wish for good neighborliness in a mosaic.

For this dream to come true,  
we proceed from the idea to action:



# The Task

## One first “Tree of good neighborliness” for Berlin.

The mosaic is made of many parts that are made by as many artists of the group Mosaic Artist as possible, then they are put into an envelope and sent to Berlin. (it would be good for around 400 artists to take part).

Then the mosaic will be installed on a wall in a public space in Berlin. All mosaic pieces that have found their way to Berlin will first be documented by me (Britta Lipka) then be sorted and then mixed. Other artists living in Berlin will then together install the tree of good neighborliness. Everyone will have access to the mosaic in a public space.

If possible, every participant of the project is to receive a documentation of the whole project in the end.

Send me you mosaic parts (green leaves for the tree top, brown mosaic pieces for the trunk and colorful fruits our tree can carry)

Please make these of ceramic tiles and send them in an envelope (25cm x 15 cm / Inch 6 x 8,5) to Berlin, Germany to my address:

Britta Lipka – Mosaik  
“Tree of Good Neighborliness”  
Schinkestr. 22  
12047 Berlin  
Germany

# The making of mosaic parts:



[check out the movie on vimeo](#)

# Leaves:



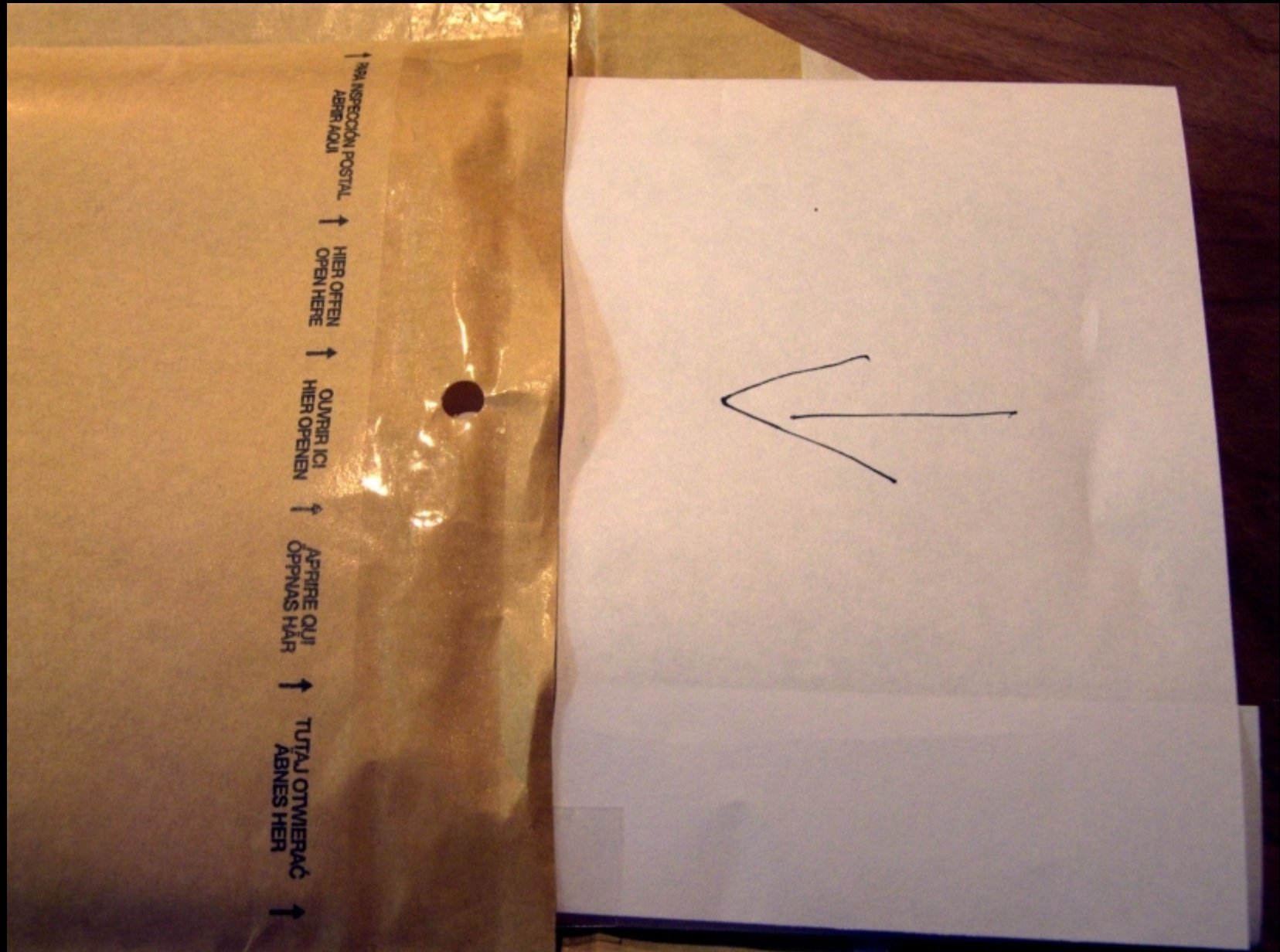
# Tree trunk and fruit:



Send: like this, this or that :)



Pack it and take it to the post.



I am looking forward to all participants, please enclose a note with your name and address (who wants a photo of yourself). I explicitly need this information for the documentation of the project "Tree of good neighborliness" and to send you the documentation when the project is completed. Thanks already to all, I am really looking forward to your contributions.

Kind regards, Britta Lipka

Berlin, May 2011